



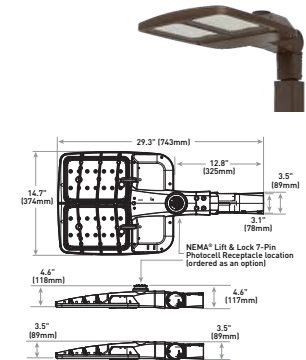
**EPS-1:** ALUMINUM WALL SYSTEM  
**MANUFACTURER:** CITADEL - ENVELOPE 2000 RAINSCREEN  
**COLOR:** CLEAR ANODIZED SATIN



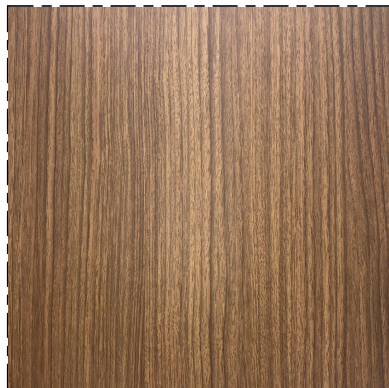
**EPS-3:** ALUMINUM WALL SYSTEM  
**MANUFACTURER:** CITADEL - ENVELOPE 2000 RAINSCREEN  
**COLOR:** ARCTIC WHITE SATIN



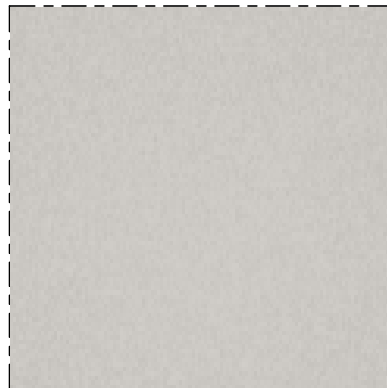
**PT-3:** STUCCO FINISH - PAINTED  
**MANUFACTURER:** ARMOURWALL 3000 STUCCO - BENJAMIN MOORE  
**COLOR:** CHARCOAL SLATE FLAT HC-178



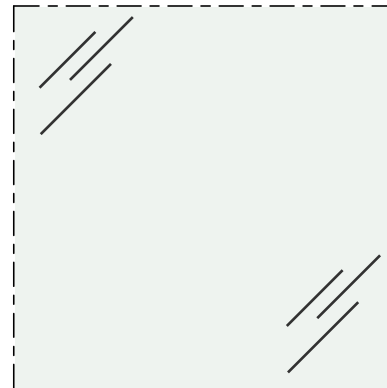
**OSQ:** POLE MOUNTED LIGHT FIXTURE  
**MANUFACTURER:** CREE LIGHTING  
**COLOR:** BRONZE



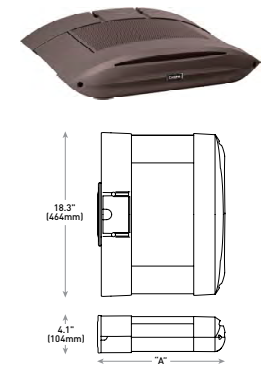
**EPS-5:** ALUMINUM WALL SYSTEM  
**MANUFACTURER:** PURE + FREEFORM  
**COLOR:** ROMA NOCE SATIN SN043



**AF-2:** ALUMINUM STOREFRONT  
**MANUFACTURER:** OLD CASTLE  
**COLOR:** CLEAR ANODIZED ALUMINUM



**GL-2:** GLAZING  
**MANUFACTURER:** VIRACON  
**COLOR:** 1" CLEAR INSULATING



**EDGE:** WALL MOUNTED LIGHT FIXTURE  
**MANUFACTURER:** CREE LIGHTING  
**COLOR:** BRONZE

**IA** INTERIOR ARCHITECTS

LOS ANGELES

515 S. FIGUEROA ST., SUITE 2050  
 LOS ANGELES, CA 90071  
 TEL 213-623-2164  
 FAX 888-296-4995

# ORANGE VILLAGE

2355 N TUSTIN ST  
 ORANGE, CA 92865

03/19/25

NOT FOR REGULATORY APPROVAL, PERMITTING, OR CONSTRUCTION

47BACX.1104.049

A04