

June 3, 2026
Design Review
Committee Meeting

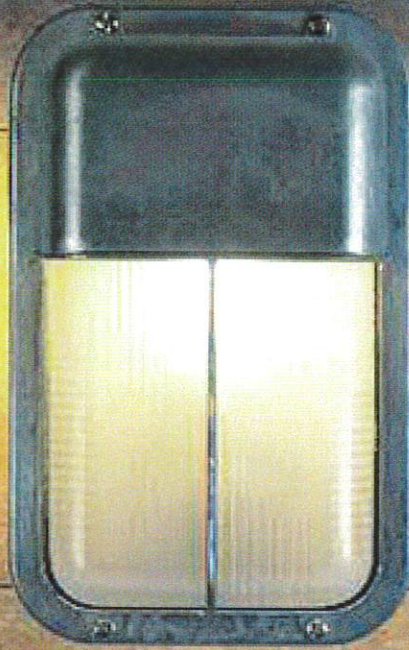
Information distributed
at DRC meeting

PRODUCT SHEET · WALL LAMP

DL-3



RADILUM
SHOP



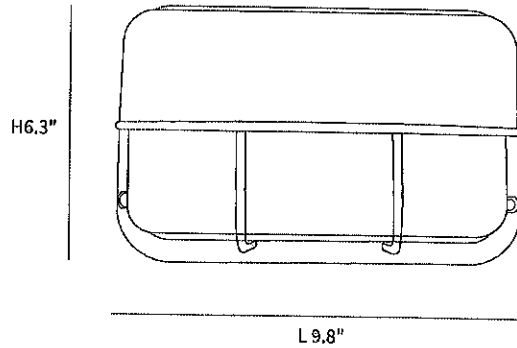
MARINE

.lamps

Description

Our very functional transitional 1-light outdoor wall light is a sconce-style, fully enclosed bulkhead fixture that installs flush to any outdoor wall. The frame features a top brow accent and a centered metal accent strip. The distinguished design is of nautical inspiration and the fixture provides general diffused light when illuminated.

Drawing



The above dimensions are measured manually and may have an error of 0,1-0,3".

Type	Sconce Wall
Environment	Indoor, Outdoor Mounting
Dimensions [cm/in]	Length: 25cm/9.8", Height: 16cm/6.3", Width: 9cm/3.5". Additional size available upon request (prices upon request)
Light source	Standard: Compatible with E26 or E27 socket Not included bulbs
Finishes	Lamp body: Metallic color, White. Lampshade: Opaque glass. Available for selection.
Construction material	Glass, Aluminum. If damaged during transportation, It can be reissued.
Numbering	SKU: RDW-155829-01

Certifications



R2FRDT-TWA

FQ 2" Tunable White - Round Downlight Trim



Fixture Type:

Catalog Number:

Project: _____

Location: _____

PRODUCT DESCRIPTION

FQ (Function + Quality) Experience simplicity and versatility with FQ 2" recessed luminaires. The fixtures merge modern design with world-class performance to achieve the ultimate in function and flexibility. Enjoy the benefits of two fixtures in one with Tunable White 1800-4000K and Dim-to-Warm 3000K-1800K features built into each luminaire, allowing you to customize the best light to illuminate dining areas, great rooms, primary bedrooms, kitchens, and baths on the fly. Deep regressed light sources deliver a glare-free, quiet ceiling aesthetic for a clean architectural look while providing up to 1250 lumens for robust output from a diminutive source.

FEATURES

- Two-piece die-cast construction
- Light engine mounted on trim with springs for easy replacement
- 0-35° vertical tilting and 365° horizontal rotation
- Center beam alignment retained throughout adjustment range
- Field changeable beam angle with reflectors provided
- Accepts one Lens or glare control accessory
- 5 year WAC Lighting product warranty

SPECIFICATIONS

Construction: Durable die-cast aluminum construction

Input: Universal 120-277V AC 50/60 Hz

Dimming: MyWAC App and WAC-Mesh WallStation: 100%-0.1%

Light Source: 3-step Mac Adam Ellipse Tunable White COB
Rated life of 50,000 hours at L70

Mounting: Heavy gauge retention clips support trim firmly.
Safety cabling standard.

Finish: Electrostatically powder coated White, Black, Dark Bronze. Enamel coated Haze.

Standards: ETL & cETL Wet Location Listed, Title 24
JA8 Compliant.

	Model	Beam	*Lumens	*CBCP	Color Temp	CRI	Finishes	Reflector/Trim
	R2FRDT Round Trim	N 30°	1130	2465	TWA 1800K - 4000K	90	BK DB HZWT WT	Black Dark Bronze Haze/White White
		F 42°	1095	1625				
		W 55°	1090	1335				

R2FRDT-TWA-__

Example: **R2FRDT-TWA-BK** (Beam F-42° reflector is pre-installed. Beams N-30° and W-55° reflectors are included.)

* Lumens and CBCP are reference values for 3000K trim with 2 housing. Use multiplier table below to determine the output for other combinations.

LUMENS AND CBCP MULTIPLIER						
Housing Power Level	Color Temperature					
	1800K	2200K	2700K	3000K	3500K	4000K
1 (14W)	0.59	0.69	0.76	0.80	0.85	0.88
2 (18W)	0.74	0.86	0.95	1.00	1.06	1.10

Please see next page for housing units (required)

wacighting.com	Headquarters, East Manufacturing Facility	South East Manufacturing Facility	Central Manufacturing Facility	West Manufacturing Facility
Phone (800) 526.2588	44 Harbor Park Drive	1600 Distribution Ct	1700 South J Elmer Freeway, Ste 100	1750 S Archibald Ave
Fax (800) 526.2585	Port Washington, NY 11050	Lithia Springs, GA 30122	Cedar Hill, TX 75104	Ontario, CA 91761

R2FRDT-TWA

FQ 2" Tunable White - Round Downlight Trim



<i>HOUSING (Required)</i>		<i>Model</i>	<i>Power</i>
New Construction IC Airtight		R2FBNT-TW	1 14W IC 2 18W IC
Remodel Non-IC		R2FBRT-TW	1 14W Non-IC 2 18W Non-IC

R2FB__-TW-

Example: R2FBNT-TW-1

GLARE CONTROL ACCESSORIES

LENS-11-HCM	<i>Honeycomb Louver</i>
LENS-11P-CRL-BK	<i>Cross Louver</i>

LENS ACCESSORIES

LENS-11	AMB	<i>Amber</i>
	RED	<i>Red</i>
	BLU	<i>Blue</i>
	GRN	<i>Green</i>
	SPR	<i>Spread</i>
	BEL	<i>Beam Elongating</i>

wacighting.com	Headquarters, East Manufacturing Facility	South East Manufacturing Facility	Central Manufacturing Facility	West Manufacturing Facility
Phone (800) 526.2588	44 Harbor Park Drive	1600 Distribution Ct	1700 South J Elmer Freeway, Ste 100	1750 S Archibald Ave
Fax (800) 526.2585	Port Washington, NY 11050	Lithia Springs, GA 30122	Cedar Hill, TX 75104	Ontario, CA 91761

Project Name: **WINDOW ORANGE** Type: **L-2** Quantity: _____

INTENDED USE

The specification grade **Silo Architectural LED 6 Inch Cylinder Direct Downlight Fixture** delivers energy efficient lighting to commercial, hospitality and residential interior lighting applications. Our modern LED Cylinder Downlights provide excellent color rendering for versatile environments.

FEATURES

Cylinder Cap Construction: High quality 0.040" steel cap with universal slots to allow for direct mounting to J-Box for surface mount. Incorporates all thread in the center for the installation of a cable or pendant rod kit for the corresponding mounting method. Three screws on the bottom of cap secure cylinder body to cylinder cap (Adjustable with flathead screw driver).

Cylinder Body Construction: 0.040" steel cylindrical body with three keyhole slots allowing body to be installed to cylinder cap. Spring brackets accept torsion wing trim springs. Four butterfly clips also accommodated for spring-less trims.

Mounting: Cable Mount includes an 8-foot, field-cutttable aircraft cable and a 5-wire offset cable for power and dimming; the Stem Mount features a swivel canopy compatible with sloped ceilings (1/12 to 10/12 pitch) and a 7-foot rod with configurable 12-inch and 24-inch segments; and the Surface & Wall Mount comes with hardware for direct junction box installation, ensuring a clean, stable finish.

CRI: 90+

Optional External Emergency Battery: 7W external emergency battery with remote test switch offers 90 minutes of illumination.

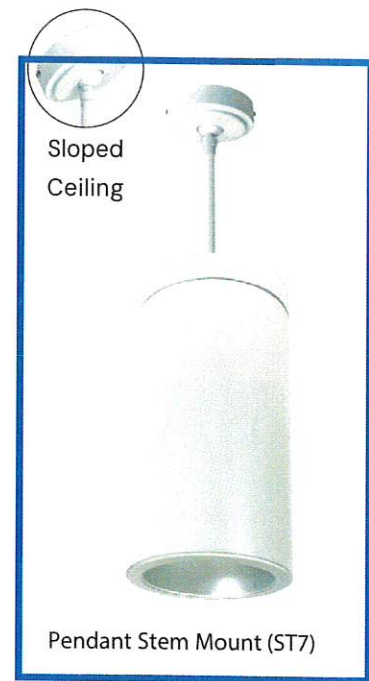
Life: 50,000 hours @ L70

Warranty: 5 Years Carefree for Parts & Components (Labor Not Included)

Listings: cULus Listed for damp locations, cULus Listed for wet locations (Wall Mount Only), Energy Star, FCC Compliant, Assembled in the USA



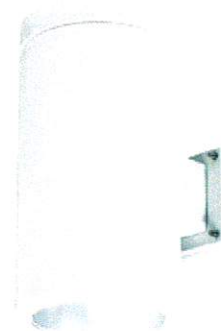
Cable Mount (AC8)



Pendant Stem Mount (ST7)



Surface Mount (S)



Wall Mount (W)



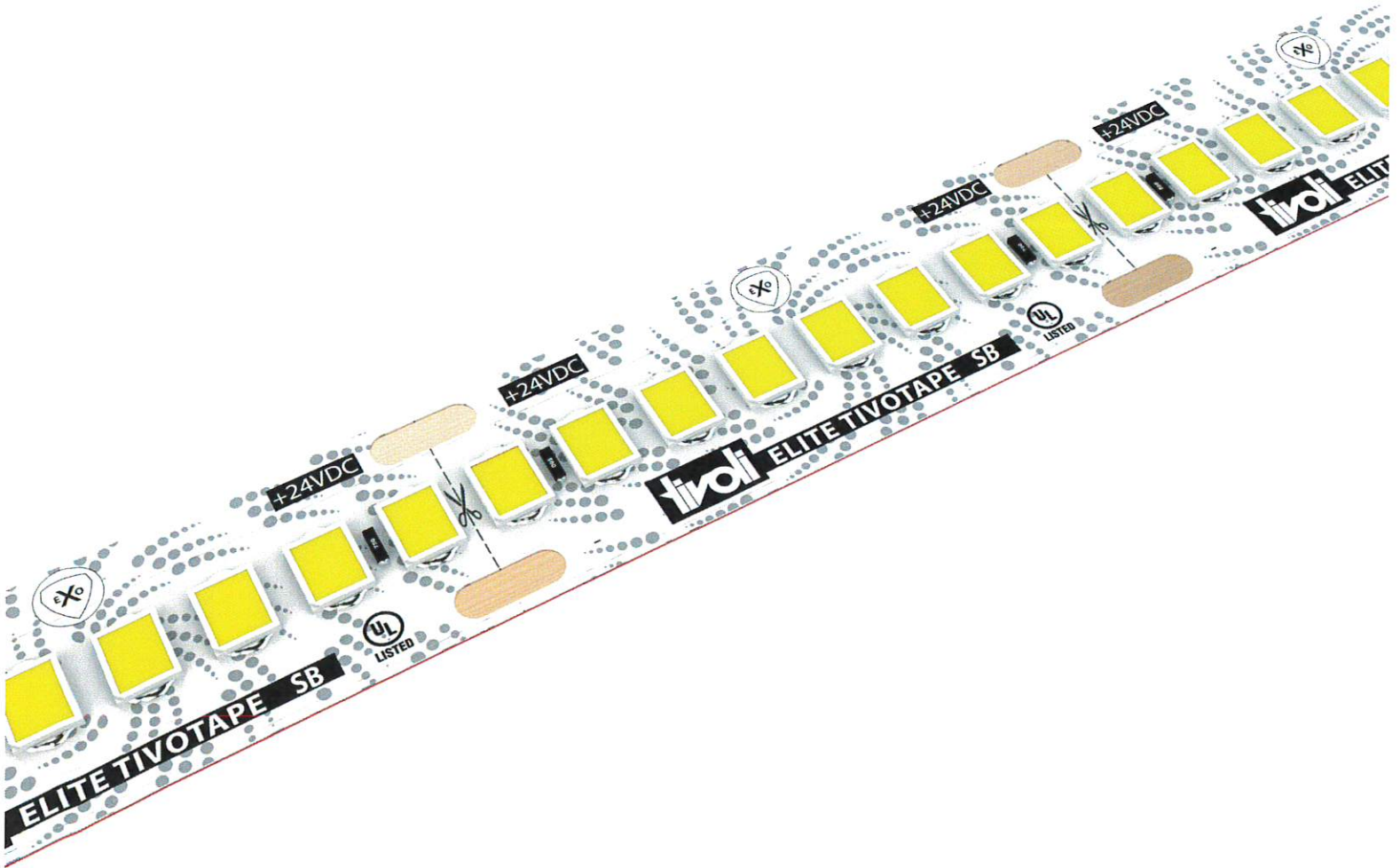
ORDERING INFORMATION Example:

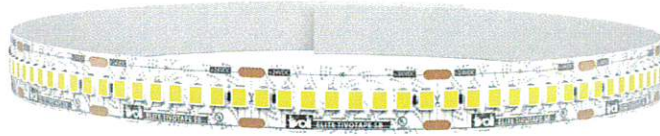
Model	Mounting	Wattage Lumens	Color Temp	Finish	Beam Spread	Dimming	Options
12306 Silo	AC8 8' Aircraft Cable Mount	11W 11 Watts 900 Lumens	27K 2700K	BK Black	S 38° Spot	010 120-277V 0-10V	EM7X 7W External Emergency Battery
	ST7 7' Stem Mount	16W 16 Watts 1500 Lumens	30K 3000K	WH White	N 56° Narrow Flood	120V 120V TRIAC/ELV	WHERE APPLICABLE
	S Surface Mount	24W 24 Watts 2500 Lumens	35K 3500K		F 72° Flood		
	W Wall Mount	36W 36 Watts 3500 Lumens	40K 4000K				
		44W 44 Watts 4500 Lumens	58W 58 Watts 5500 Lumens				

1 Not Compatible with EM7X 7W External Emergency Battery

ELITE

ZERO DROP TECHNOLOGY

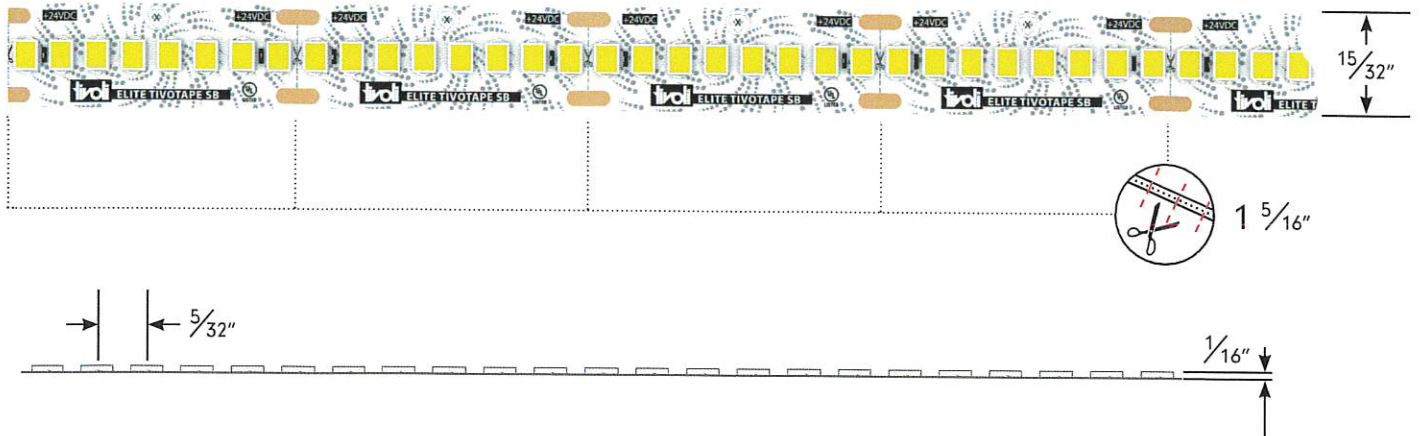




Project: _____ TYPE: _____

- Low bin tolerance with a 1.5 Step McAdam Ellipse standard
- Factory produced with Tivoli's eXo Shield coating
- High CRI value
- Factory soldered lead wire
- IP67 Wet location available
- Multiple mounting channel options
- Large range of available Kelvin temperatures
- Low lead times
- 4oz. Copper Trace
- 5 Year warranty

Dimensions





ACUITY BRANDS LIGHTING // PRODUCTS // WDGE2 LED WALL MOUNT



WDGE2 LED Wall Mount

Architectural Wall Luminaire Size 2 - up to 6,000 lumens



OVERVIEW SPECIFICATIONS

Shape	Trapezoid
Light Source	LED - Static
CCT / LED Color	2700 K, 3000 K, 3500 K, 4000 K, 5000 K, Amber Limited Wavelength
CRI	80, 90
Product Type	Wallpack
Environmental Listing	Dry Location
Regulatory Listing	CSA
Control Platform	nLight AIR G2, Sensor Switch Standalone
Dimming Protocol	0-10V

[Read More](#) ▾



PRODUCT INFORMATION

Spec Sheets



Photometry & Revit (BIM)



Spectral Data Sheets



Technical Documents (e.g. Instruction Sheets, MSDS, CAD)



Utility Rebate Search



This site uses cookies and related technologies, as described in our privacy statement, for purposes that may include site operation, analytics, enhanced user experience, or advertising. You may choose to consent to our use of these technologies, or manage your own preferences.

[Manage Settings](#)

[Accept](#)

[Reject All](#)



ST VIEW STOCKED PRODUCTS



[View Price & Availability](#)

Search within...

INVENTORY TYPE

[CLEAR FILTERS](#)

1 - 2 OF 2 RESULTS

WDGE2 LED P3 40K 80CRI VF MVOLT SRM PE DDBXD

Wall pack, LED, Up to 3675 lumens, 4000K, 80CRI, Visual forward throw, 120-277V, Surface mount, Photocell, buttontype, Dark bronze finish, super durable



WDGE2 LED P3 50K 80CRI VW 347 SRM DWHXD

Wall pack, LED, Up to 3675 lumens, 5000K, 80CRI, Visual Wide, 347V, Surface mount, White, super durable



< 1 >



BUILD CAT. # / SUBMITTAL SPEC SHEET

Design Select Available

[Start Configuring a Product](#)



GALLERY



This site uses cookies and related technologies, as described in our [privacy statement](#), for purposes that may include site operation, analytics, enhanced user experience, or advertising. You may choose to consent to our use of these technologies, or manage your own preferences.

PRODUCT SPECIFICATIONS

Project Name _____ Date _____



Type or Model _____ Qty _____

VOLT® Low Voltage Landscape Lighting

VOLT® G5 Infiniti™ Integrated LED Brass Spotlight- VAL-2051

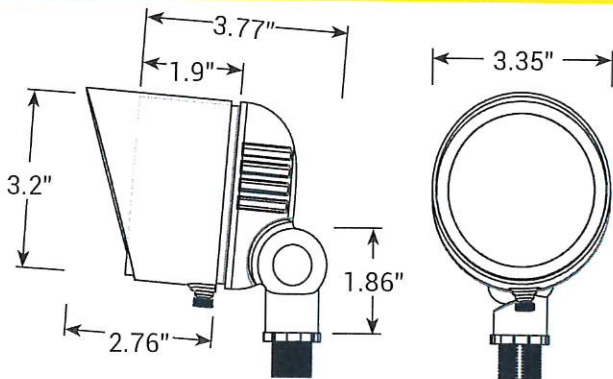
PRODUCT DESCRIPTION

The VOLT® G5 Infiniti™ LED Brass Spotlight & Downlight delivers versatile, high-performance outdoor lighting in a durable black powder-coated finish. Designed for both uplighting and downlighting applications, this IP67-rated solid brass fixture withstands the elements for long-lasting reliability. Its modular design allows for easy LED module replacement, making it a practical and cost-effective solution for homeowners seeking customizable outdoor illumination.

With adjustable white color temperatures (2200K–4000K) and dimming capabilities, this fixture lets you create the perfect ambiance for any outdoor space. Swappable 60° and 38° optics provide flexibility for wide or focused lighting, while the RF remote compatibility (sold separately) enables effortless control over multiple fixtures. A 25' lead wire allows for easy installation, making it ideal for highlighting trees, walls, pergolas, and other outdoor structures.



PRODUCT DIMENSIONS



SPECIFICATIONS

- **Construction:** Brass
- **Finish:** Black
- **Lead Wire:** 25' 18 AWG
- **Mounting:** 10" Hammer Stake
- **Lens:** 60° pre- installed with 38° in box
- **Operating Voltage:** 12VAC
- **Powered by:** VOLT's Low Voltage Transformer
- **Light Source (not included):** Integrated

FEATURES & BENEFITS

- Solid brass construction for long-lasting durability.
- Onyx finish easily blends into any landscape while providing marine and aircraft-grade protection against the harshest of elements.
- Can be used in both up- and downlighting applications.
- IP67 Rating
- Fully adjustable glare guard & knuckle for precision control.
- Correlated color temperature control offers 2200K (892lm), 2700K (927lm), 3000K (942lm), or 4000K (966lm).

WARRANTY

Lifetime Warranty

CERTIFICATIONS



LISTED File # E466348



LISTED File #E466348

DISC STRING LIGHTS

\$ 298.00

COLOR Natural

NATURAL POLLEN

LENGTH

Set 10/Green Cord

- 1 +

ADD TO CART • \$ 298.00

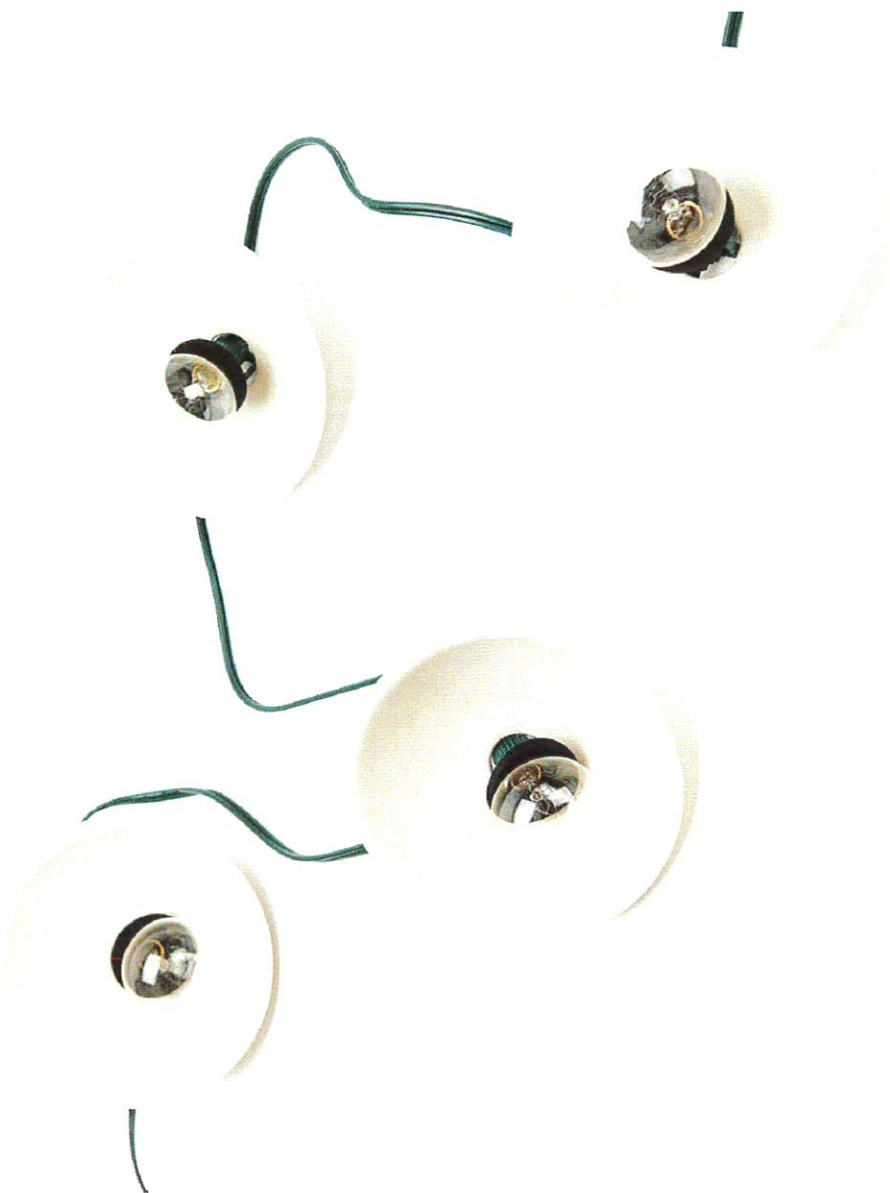
Buy with **shop**  2898

[More payment options](#)

A set of 10 or 25 tinted stoneware shades strung on a dark green indoor/outdoor cord with 12" bulb spacing. Available in an array of our classic colors. Shown in Pollen. Lead time: 3-5 weeks.

DETAILS

- * G40 bulbs are 5 watts with a C7/candelabra base.
- * Bulb size is 1.5" in diameter (slightly smaller than a golf ball).
- * If one bulb burns out, the others stay lit.
- * End-to-end connection. You can connect up to 3 strands continuously.



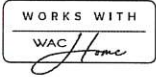
Customer? Take 20% off X



LS-T

R2FRDT-TWA

FQ 2" Tunable White - Round Downlight Trim



Fixture Type:

Catalog Number:

Project: _____

Location: _____

PRODUCT DESCRIPTION

FQ (Function + Quality) Experience simplicity and versatility with FQ 2" recessed luminaires. The fixtures merge modern design with world-class performance to achieve the ultimate in function and flexibility. Enjoy the benefits of two fixtures in one with Tunable White 1800-4000K and Dim-to-Warm 3000K-1800K features built into each luminaire, allowing you to customize the best light to illuminate dining areas, great rooms, primary bedrooms, kitchens, and baths on the fly. Deep regressed light sources deliver a glare-free, quiet ceiling aesthetic for a clean architectural look while providing up to 1250 lumens for robust output from a diminutive source.

FEATURES

- Two-piece die-cast construction
- Light engine mounted on trim with springs for easy replacement
- 0-35° vertical tilting and 365° horizontal rotation
- Center beam alignment retained throughout adjustment range
- Field changeable beam angle with reflectors provided
- Accepts one Lens or glare control accessory
- 5 year WAC Lighting product warranty

SPECIFICATIONS

- Construction:** Durable die-cast aluminum construction
- Input** Universal 120-277V AC 50/60 Hz
- Dimming:** MyWAC App and WAC-Mesh WallStation: 100%-0.1%
- Light Source:** 3-step Mac Adam Ellipse Tunable White COB
Rated life of 50,000 hours at L70
- Mounting:** Heavy gauge retention clips support trim firmly. Safety cabling standard.
- Finish:** Electrostatically powder coated White, Black, Dark Bronze. Enamel coated Haze.
- Standards:** ETL & cETL Wet Location Listed, Title 24 JA8 Compliant.

	Model	Beam	*Lumens	*CBCP	Color Temp	CRI	Finishes	Reflector/Trim
	R2FRDT Round Trim	N 30°	1130	2465	TWA 1800K - 4000K	90	BK DB HZWT WT	Black Dark Bronze Haze/White White
		F 42°	1095	1625				
		W 55°	1090	1335				

R2FRDT-TWA-__

Example: **R2FRDT-TWA-BK** (Beam F-42° reflector is pre-installed. Beams N-30° and W-55° reflectors are included.)

* Lumens and CBCP are reference values for 3000K trim with 2 housing. Use multiplier table below to determine the output for other combinations.

LUMENS AND CBCP MULTIPLIER						
Housing Power Level	Color Temperature					
	1800K	2200K	2700K	3000K	3500K	4000K
1 (14W)	0.59	0.69	0.76	0.80	0.85	0.88
2 (18W)	0.74	0.86	0.95	1.00	1.06	1.10

Please see next page for housing units (required)

wacighting.com Phone (800) 526.2588 Fax (800) 526.2585	Headquarters, East Manufacturing Facility 44 Harbor Park Drive Port Washington, NY 11050	South East Manufacturing Facility 1600 Distribution Ct Lithia Springs, GA 30122	Central Manufacturing Facility 1700 South J Elmer Freeway, Ste 100 Cedar Hill, TX 75104	West Manufacturing Facility 1750 S Archibald Ave Ontario, CA 91761
--------------------------------------------------------------	------------------------------------------------------------------------------------------------	---------------------------------------------------------------------------------------	-----------------------------------------------------------------------------------------------	--------------------------------------------------------------------------

R2FRDT-TWA

FQ 2" Tunable White - Round Downlight Trim



<i>HOUSING (Required)</i>		<i>Model</i>	<i>Power</i>
New Construction IC Airtight		R2FBNT-TW	1 14W IC 2 18W IC
Remodel Non-IC		R2FBRT-TW	1 14W Non-IC 2 18W Non-IC

R2FB__-TW-

Example: R2FBNT-TW-1

GLARE CONTROL ACCESSORIES

LENS-11-HCM LENS-11P-CRL-BK	<i>Honeycomb Louver</i> <i>Cross Louver</i>
----------------------------------------------	------------------------------------------------

LENS ACCESSORIES

LENS-11	AMB RED BLU GRN SPR BEL	<i>Amber</i> <i>Red</i> <i>Blue</i> <i>Green</i> <i>Spread</i> <i>Beam Elongating</i>
----------------	----------------------------------------------------------------------------------	------------------------------------------------------------------------------------------------------

wacighting.com Phone (800) 526.2588 Fax (800) 526.2585	Headquarters, East Manufacturing Facility 44 Harbor Park Drive Port Washington, NY 11050	South East Manufacturing Facility 1600 Distribution Ct Lithia Springs, GA 30122	Central Manufacturing Facility 1700 South J Elmer Freeway, Ste 100 Cedar Hill, TX 75104	West Manufacturing Facility 1750 S Archibald Ave Ontario, CA 91761
--------------------------------------------------------------	------------------------------------------------------------------------------------------------	---------------------------------------------------------------------------------------	-----------------------------------------------------------------------------------------------	--------------------------------------------------------------------------

Project Name: **WINDOW ORANGE** Type: **L-2** Quantity: _____

INTENDED USE

The specification grade **Silo Architectural LED 6 Inch Cylinder Direct Downlight Fixture** delivers energy efficient lighting to commercial, hospitality and residential interior lighting applications. Our modern LED Cylinder Downlights provide excellent color rendering for versatile environments.

FEATURES

Cylinder Cap Construction: High quality 0.040" steel cap with universal slots to allow for direct mounting to J-Box for surface mount. Incorporates all thread in the center for the installation of a cable or pendant rod kit for the corresponding mounting method. Three screws on the bottom of cap secure cylinder body to cylinder cap (Adjustable with flathead screw driver).

Cylinder Body Construction: 0.040" steel cylindrical body with three keyhole slots allowing body to be installed to cylinder cap. Spring brackets accept torsion wing trim springs. Four butterfly clips also accommodated for spring-less trims.

Mounting: Cable Mount includes an 8-foot, field-cuttable aircraft cable and a 5-wire offset cable for power and dimming; the Stem Mount features a swivel canopy compatible with sloped ceilings (1/12 to 10/12 pitch) and a 7-foot rod with configurable 12-inch and 24-inch segments; and the Surface & Wall Mount comes with hardware for direct junction box installation, ensuring a clean, stable finish.

CRI: 90+

Optional External Emergency Battery: 7W external emergency battery with remote test switch offers 90 minutes of illumination.

Life: 50,000 hours @ L70

Warranty: 5 Years Carefree for Parts & Components (Labor Not Included)

Listings: cULus Listed for damp locations, cULus Listed for wet locations (Wall Mount Only), Energy Star, FCC Compliant, Assembled in the USA



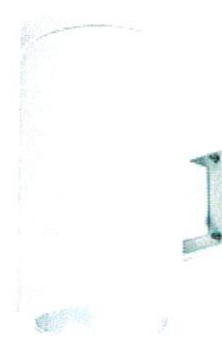
Cable Mount (AC8)



Pendant Stem Mount (ST7)



Surface Mount (S)



Wall Mount (W)



ORDERING INFORMATION Example:

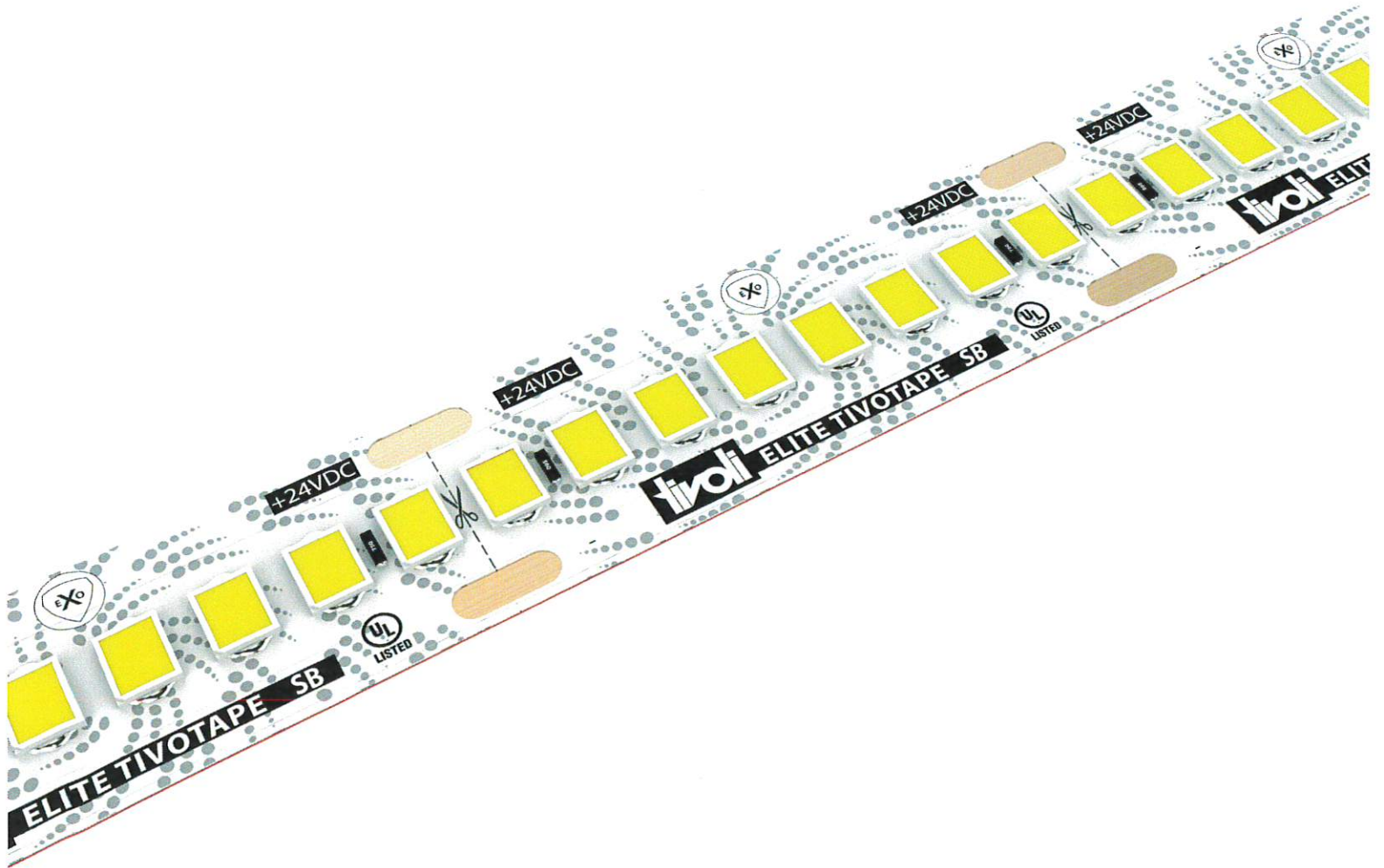
Model	Mounting	Wattage Lumens	Color Temp	Finish	Beam Spread	Dimming	Options
12306 Silo	AC8 8' Aircraft Cable Mount	11W 11 Watts 900 Lumens	27K 2700K	BK Black	S 38° Spot	010 120-277V 0-10V	EM7X 7W External Emergency Battery
	ST7 7' Stem Mount	16W 16 Watts 1500 Lumens	30K 3000K	WH White	N 56° Narrow Flood	120V 120V TRIAC/ELV	
	S Surface Mount	24W 24 Watts 2500 Lumens	35K 3500K		F 72° Flood		WHERE APPLICABLE
	W Wall Mount	36W 36 Watts 3500 Lumens	40K 4000K				
			44W 44 Watts 4500 Lumens				
		58W 58 Watts 5500 Lumens					

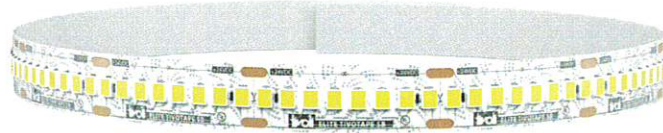
1 Not Compatible with EM7X 7W External Emergency Battery



ELITE

ZERO DROP TECHNOLOGY

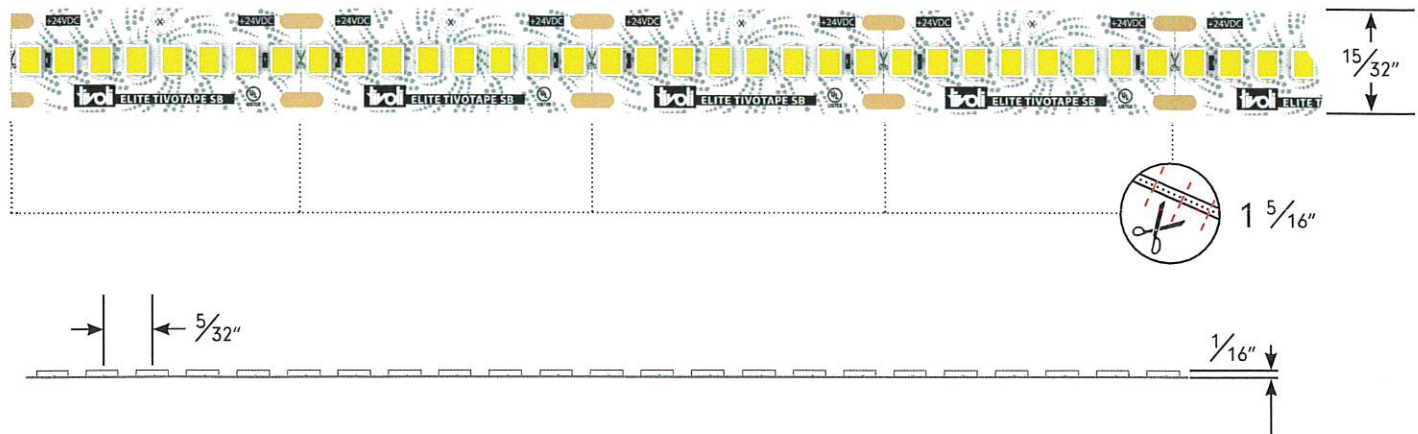




Project: _____ TYPE: _____

- Low bin tolerance with a 1.5 Step McAdam Elipse standard
- Factory produced with Tivoli's eXo Shield coating
- High CRI value
- Factory soldered lead wire
- IP67 Wet location available
- Multiple mounting channel options
- Large range of available Kelvin temperatures
- Low lead times
- 4oz. Copper Trace
- 5 Year warranty

Dimensions





ACUITY BRANDS LIGHTING // PRODUCTS // WDGE2 LED WALL MOUNT



WDGE Family Product Video

WDGE2 LED Wall Mount

Architectural Wall Luminaire Size 2 – up to 6,000 lumens



OVERVIEW SPECIFICATIONS

Shape	Trapezoid
Light Source	LED - Static
CCT / LED Color	2700 K, 3000 K, 3500 K, 4000 K, 5000 K, Amber Limited Wavelength
CRI	80, 90
Product Type	Wallpack
Environmental Listing	Dry Location
Regulatory Listing	CSA
Control Platform	nLight AIR G2, Sensor Switch Standalone
Dimming Protocol	0-10V

[Read More](#) ▾



PRODUCT INFORMATION

Spec Sheets



Photometry & Revit (BIM)



Spectral Data Sheets



Technical Documents (e.g. Instruction Sheets, MSDS, CAD)



Utility Rebate Search



This site uses cookies and related technologies, as described in our privacy statement, for purposes that may include site operation, analytics, enhanced user experience, or advertising. You may choose to consent to our use of these technologies, or manage your own preferences.

[Manage Settings](#)

[Accept](#)

[Reject All](#)



ST VIEW STOCKED PRODUCTS **i**



View Price & Availability

Search within...

INVENTORY TYPE

[CLEAR FILTERS](#)

1 - 2 OF 2 RESULTS

WDGE2 LED P3 40K 80CRI VF MVOLT SRM PE DDBXD

Wall pack, LED, Up to 3675 lumens, 4000K, 80CRI, Visual forward throw, 120-277V, Surface mount, Photocell, buttontype, Dark bronze finish, super durable

ST

WDGE2 LED P3 50K 80CRI VW 347 SRM DWHXD

Wall pack, LED, Up to 3675 lumens, 5000K, 80CRI, Visual Wide, 347V, Surface mount, White, super durable

ST

< 1 >



BUILD CAT. # / SUBMITTAL SPEC SHEET

ds Design Select Available **i**

Start Configuring a Product



GALLERY



This site uses cookies and related technologies, as described in our privacy statement, for purposes that may include site operation, analytics, enhanced user experience, or advertising. You may choose to consent to our use of these technologies, or manage your own preferences.

PRODUCT SPECIFICATIONS Project Name _____ Date _____

VOLT[®]

Type or Model _____ Qty _____

VOLT[®] Low Voltage Landscape Lighting

VOLT[®] G5 Infiniti™ Integrated LED Brass Spotlight- VAL-2051

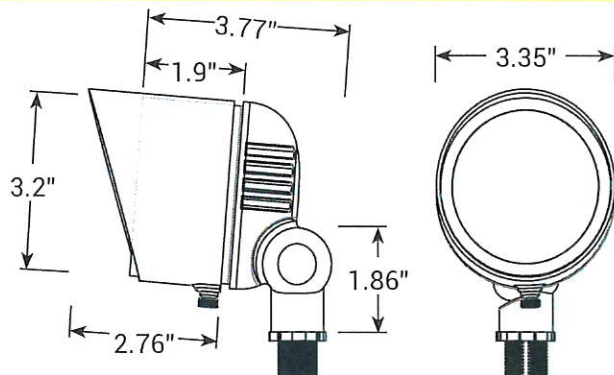
PRODUCT DESCRIPTION

The VOLT[®] G5 Infiniti™ LED Brass Spotlight & Downlight delivers versatile, high-performance outdoor lighting in a durable black powder-coated finish. Designed for both uplighting and downlighting applications, this IP67-rated solid brass fixture withstands the elements for long-lasting reliability. Its modular design allows for easy LED module replacement, making it a practical and cost-effective solution for homeowners seeking customizable outdoor illumination.

With adjustable white color temperatures (2200K–4000K) and dimming capabilities, this fixture lets you create the perfect ambiance for any outdoor space. Swappable 60° and 38° optics provide flexibility for wide or focused lighting, while the RF remote compatibility (sold separately) enables effortless control over multiple fixtures. A 25' lead wire allows for easy installation, making it ideal for highlighting trees, walls, pergolas, and other outdoor structures.



PRODUCT DIMENSIONS



SPECIFICATIONS

- **Construction:** Brass
- **Finish:** Black
- **Lead Wire:** 25' 18 AWG
- **Mounting:** 10" Hammer Stake
- **Lens:** 60° pre- installed with 38° in box
- **Operating Voltage:** 12VAC
- **Powered by:** VOLT's Low Voltage Transformer
- **Light Source (not included):** Integrated

FEATURES & BENEFITS

- Solid brass construction for long-lasting durability.
- Onyx finish easily blends into any landscape while providing marine and aircraft-grade protection against the harshest of elements.
- Can be used in both up- and downlighting applications.
- IP67 Rating
- Fully adjustable glare guard & knuckle for precision control.
- Correlated color temperature control offers 2200K (892lm), 2700K (927lm), 3000K (942lm), or 4000K (966lm).

WARRANTY

Lifetime Warranty

CERTIFICATIONS



LISTED File # E466348



LISTED File #E466348

DISC STRING LIGHTS

\$ 298.00

COLOR Natural

NATURAL POLLEN

LENGTH

Set 10/Green Cord

- 1 +

ADD TO CART • \$ 298.00

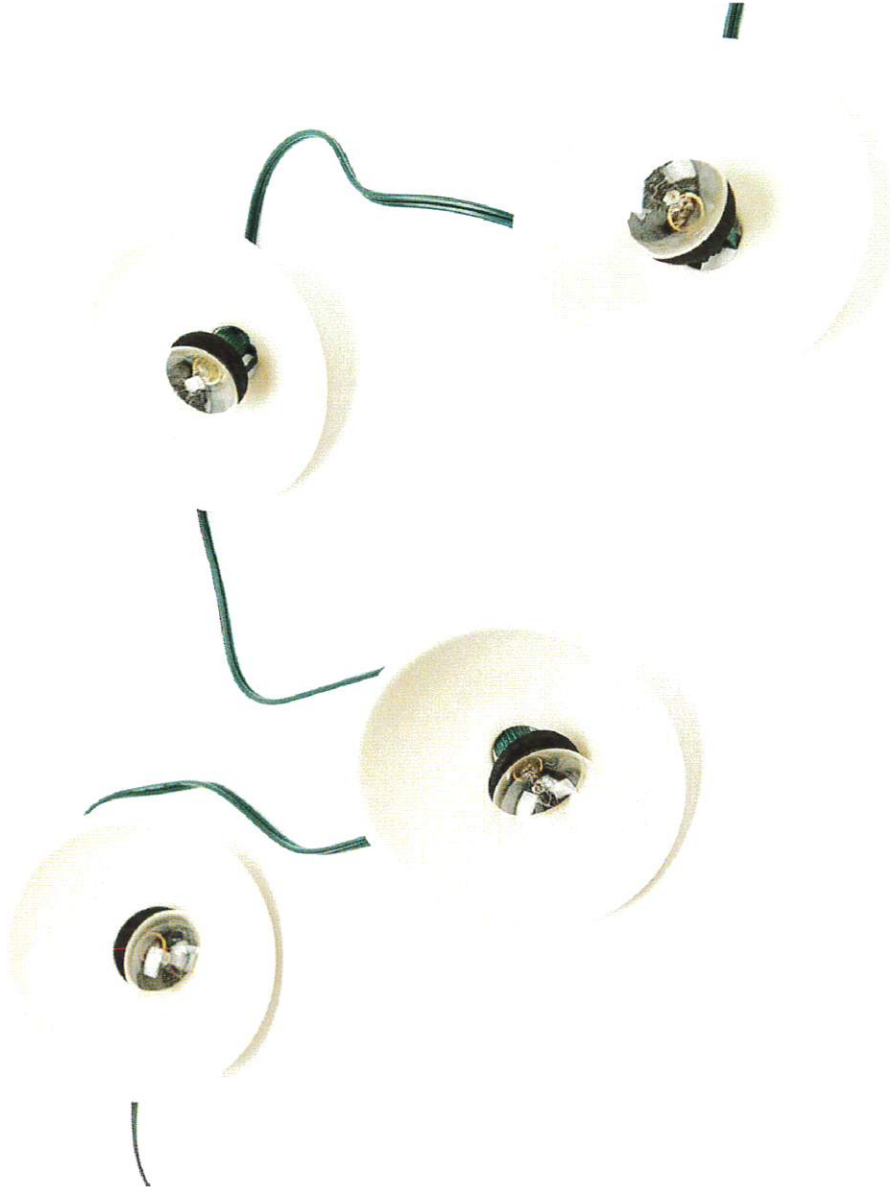
Buy with **shop**  2898

[More payment options](#)

A set of 10 or 25 tinted stoneware shades strung on a dark green indoor/outdoor cord with 12" bulb spacing. Available in an array of our classic colors. Shown in Pollen. Lead time: 3-5 weeks.

DETAILS

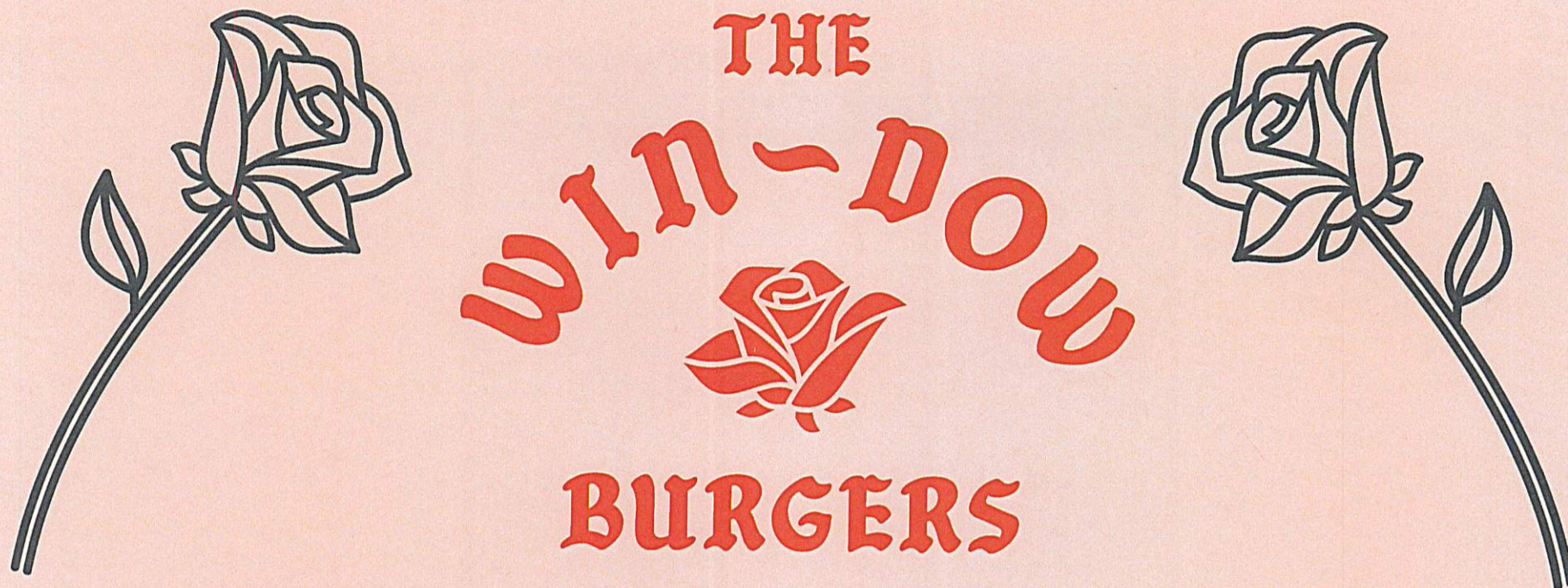
- * G40 bulbs are 5 watts with a C7/candelabra base.
- * Bulb size is 1.5" in diameter (slightly smaller than a golf ball).
- * If one bulb burns out, the others stay lit.
- * End-to-end connection. You can connect up to 3 strands continuously.



Customer? Take 20% off X



LS-T



**THE
win-DOW
BURGERS**

Our burgers are flat top grilled with onions, served with American cheese, pickles & house sauce.

CHEESEBURGER 4.50

DOUBLE CHEESEBURGER 7.75

BEAUTY BURGER 8.50
for the vegetarians (impossible burger)

FRIED CHICKEN SANDWICH 7.50

THE \$8 GRAIN BOWL 8.00
brown rice, six veggies, two seeds, soft egg

SHAVED KALE SALAD 8.50
lemon vin, pecorino, pine nuts, croutons

FRENCH FRIES 4.25

CRISPY BRUSSELS SPROUTS 5.00

SAUCES (house, jalapeño, or herby ranch) 0.75 **SMASHED AVO** 1.00

HAND SPUN SHAKES 6.25
chocolate s'mores, local strawberry, vanilla bean

DIPPED CONES 5.75
mint cookies & cream, salted caramel, peanut buddy

FRESH LEMONADE, ICED TEA OR SODA 2.50